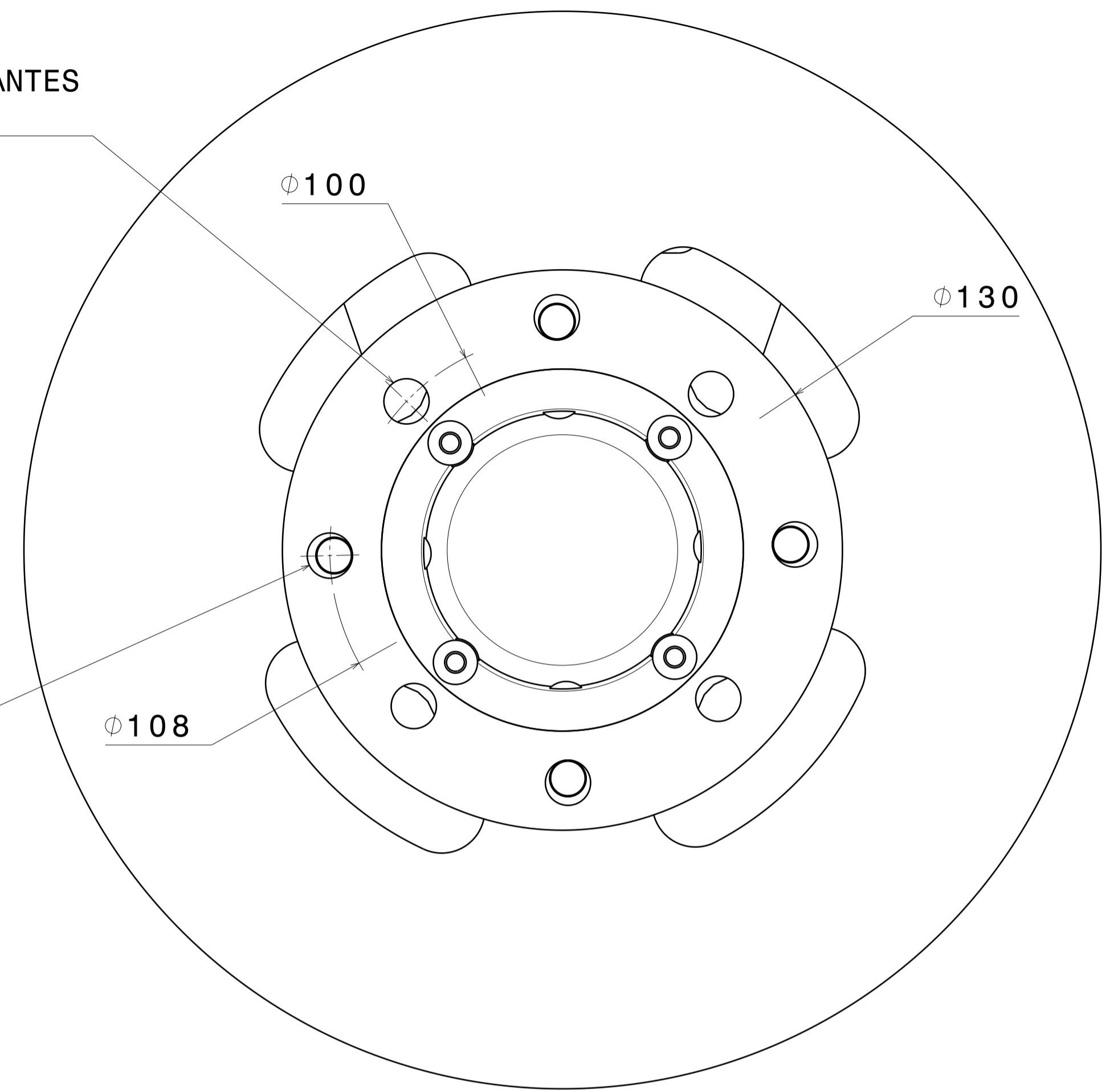


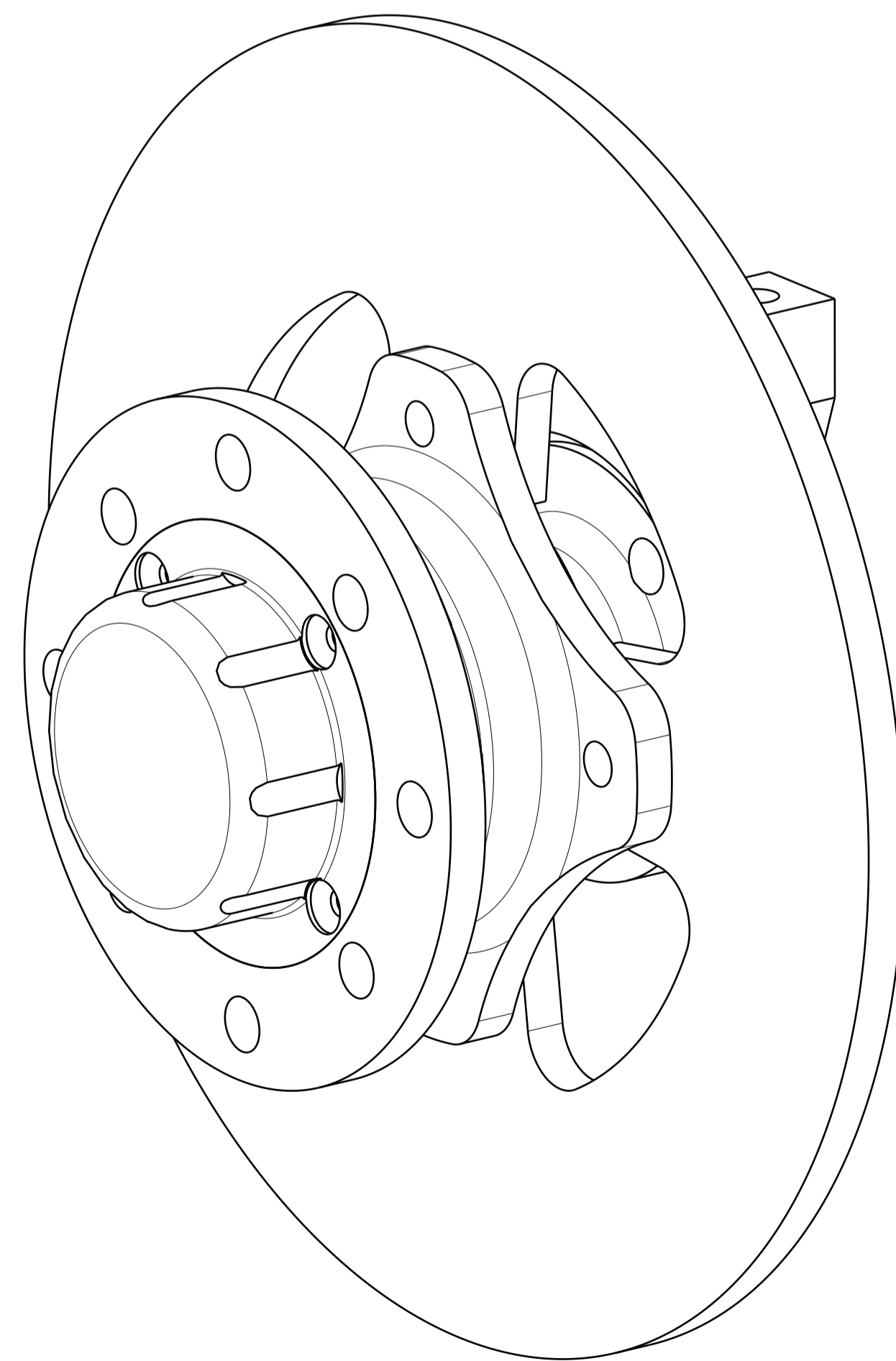
Left view
Scale: 1:1

4 AGUJEROS EQUIDISTANTES
ROSCADOS M12 X 1.5


4 AGUJEROS EQUIDISTANTES
ROSCADOS M12 X 1.5



Rear view
Scale: 1:1



Isometric view
Scale: 1:1

DESIGNED BY:	Dise	EQUIPO TN TRASERO	I	-
DATE:			H	-
CHECKED BY:			G	-
DATE:			F	-
SIZE	A1	 FRENOS PARA COMPETICION	E	-
SCALE	11:9		D	-
WEIGHT (kg)		CODIGO	C	-
			B	-
			A	-

This drawing is our property; it can't be reproduced or communicated without our written agreement.