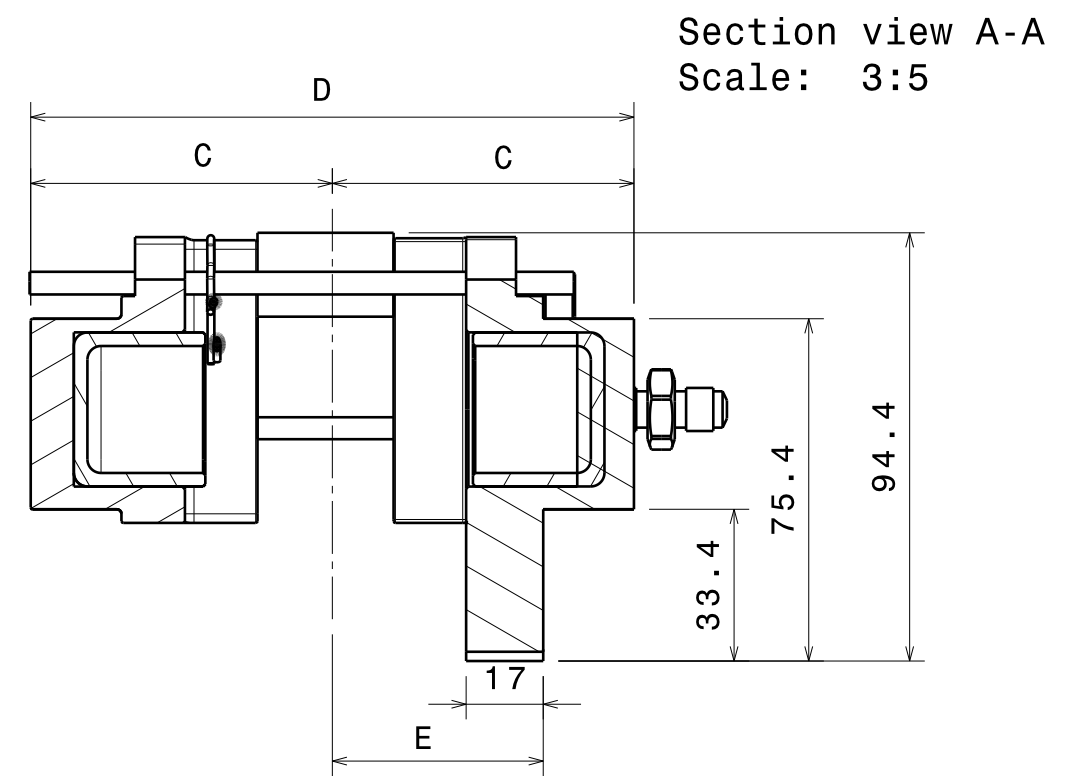
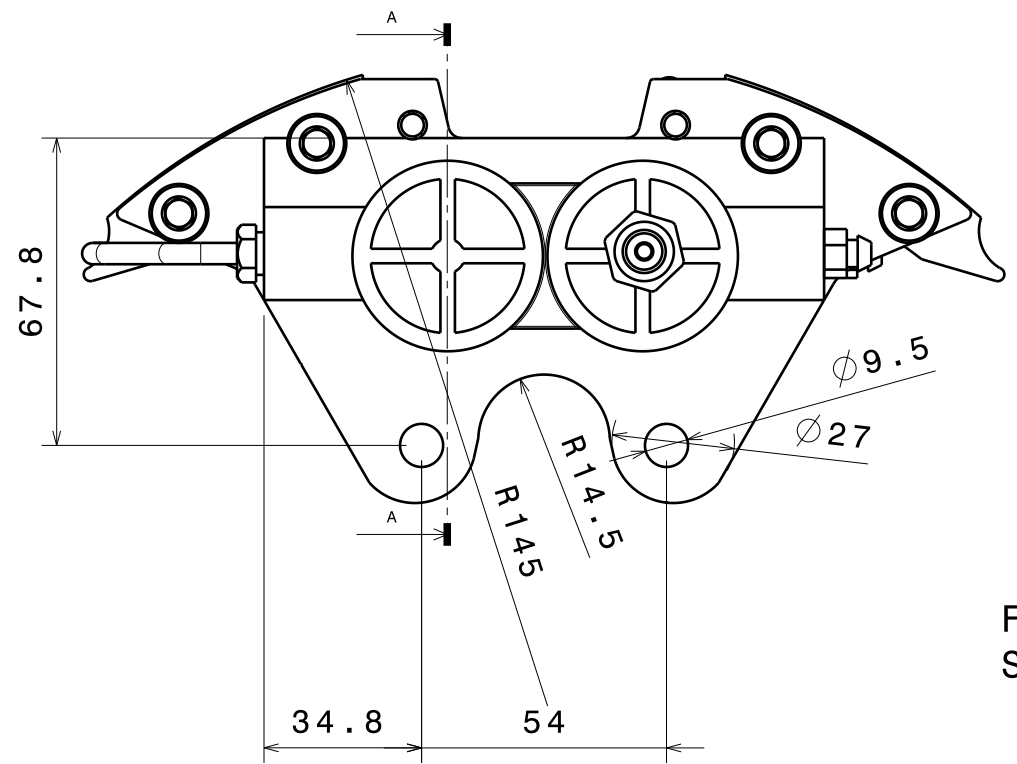
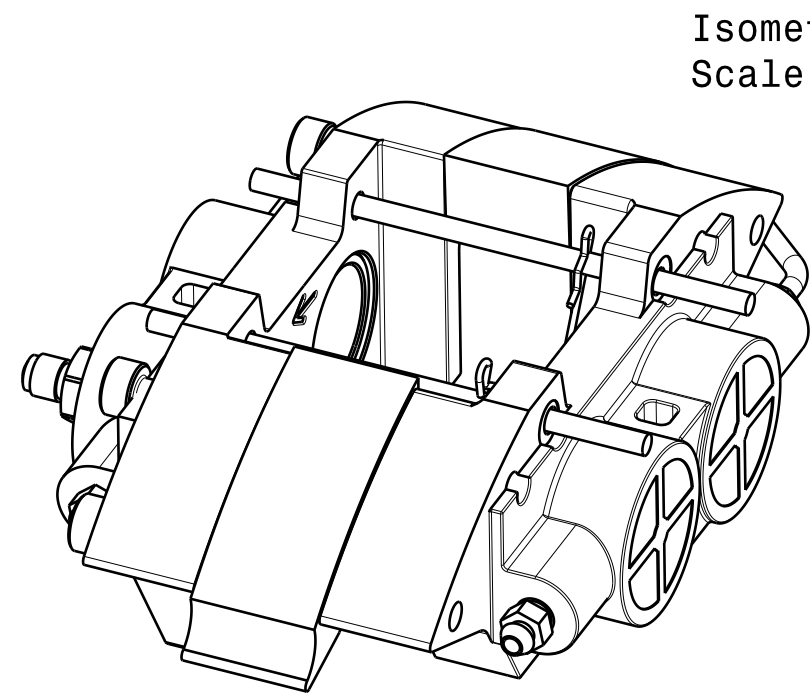
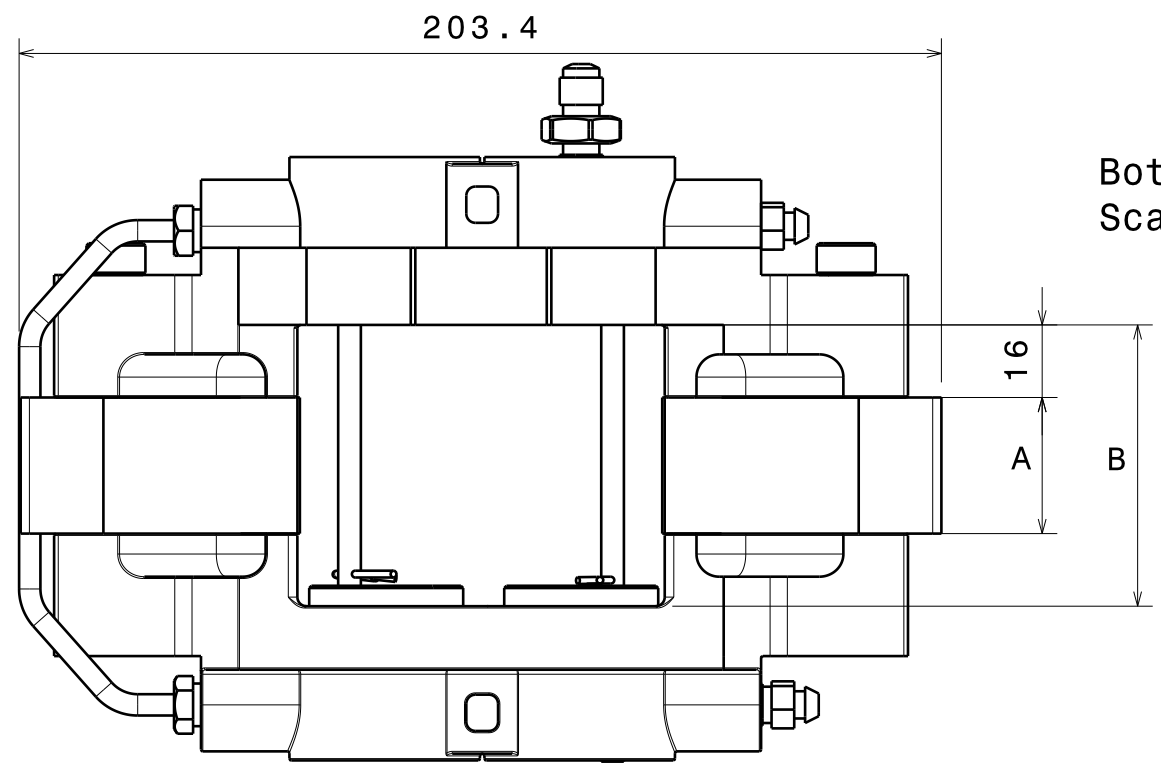


H G F E D C B A



VARIANTES	ESPEJOR DE DISCO	A	B	C	D	E
	28mm	34mm	66mm	68.5mm	137mm	48.5mm
	26mm	32mm	64mm	67.5mm	135mm	47.5mm
	24mm	30mm	62mm	66.5mm	133mm	46.5mm

DESIGNED BY: <b>Dise</b>	<b>CALIPER DE 4 PISTONES <math>\phi</math> 34mm</b> <b>DISCO <math>\phi</math>MAX 290mm</b> <b>EV01 (versión 1)</b>	I	-
DATE: <b>5/16/2007</b>		H	-
CHECKED BY: <b>XXX</b>		G	-
DATE: <b>XXX</b>		F	-
SIZE: <b>A3</b>		E	-
SCALE: <b>3:5</b>		D	-
WEIGHT (kg):	<b>Codigo</b> <b>1.4<sub>RR</sub>.34.YYY.1.ZZ.Q.T</b>	C	-
		B	-
		A	-

This drawing is our property; it can't be reproduced or communicated without our written agreement.

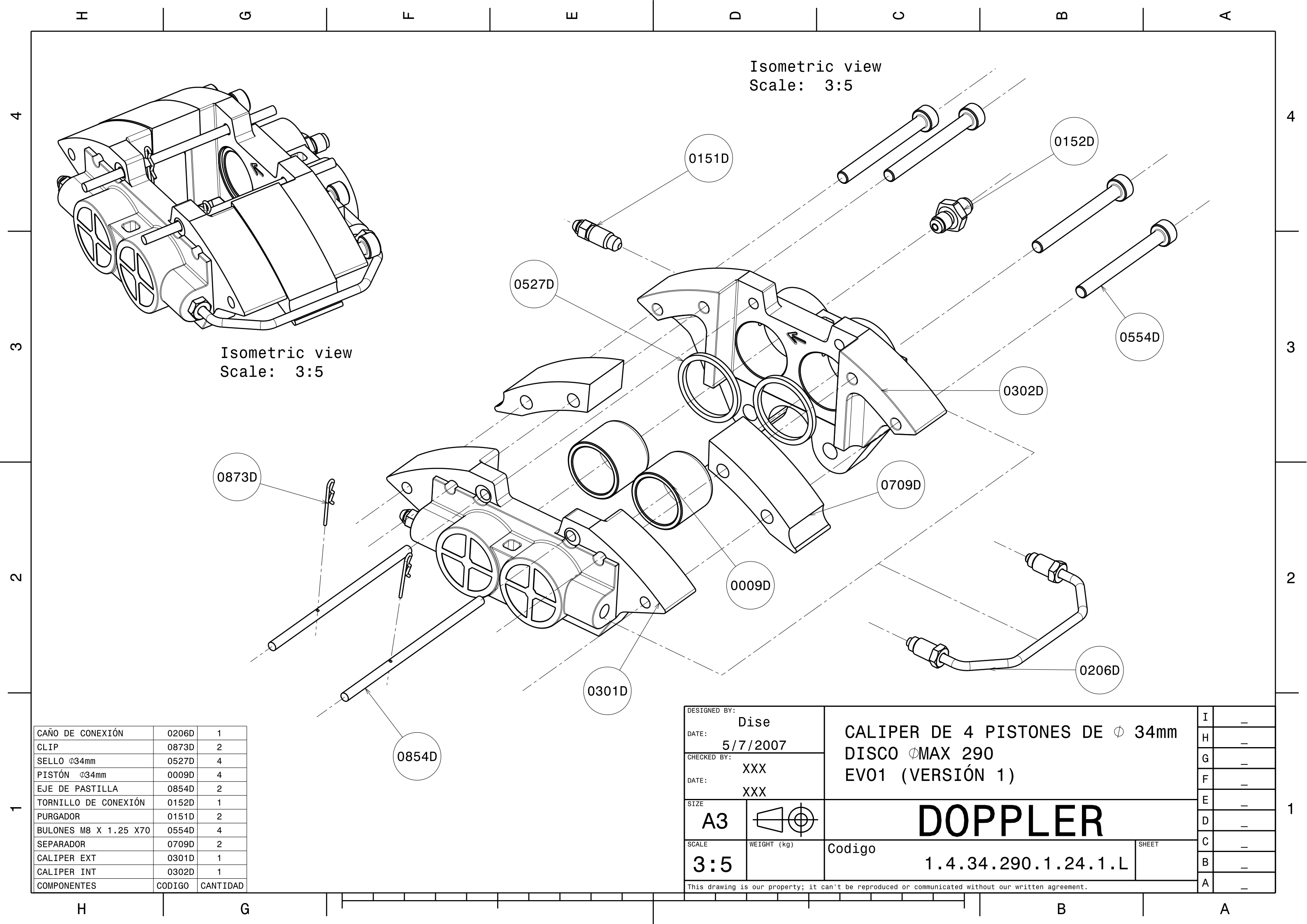
H G B A

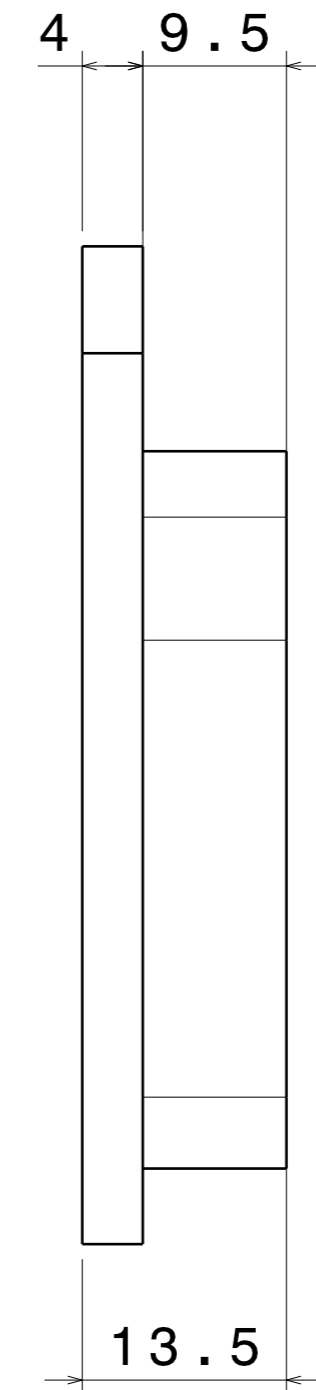
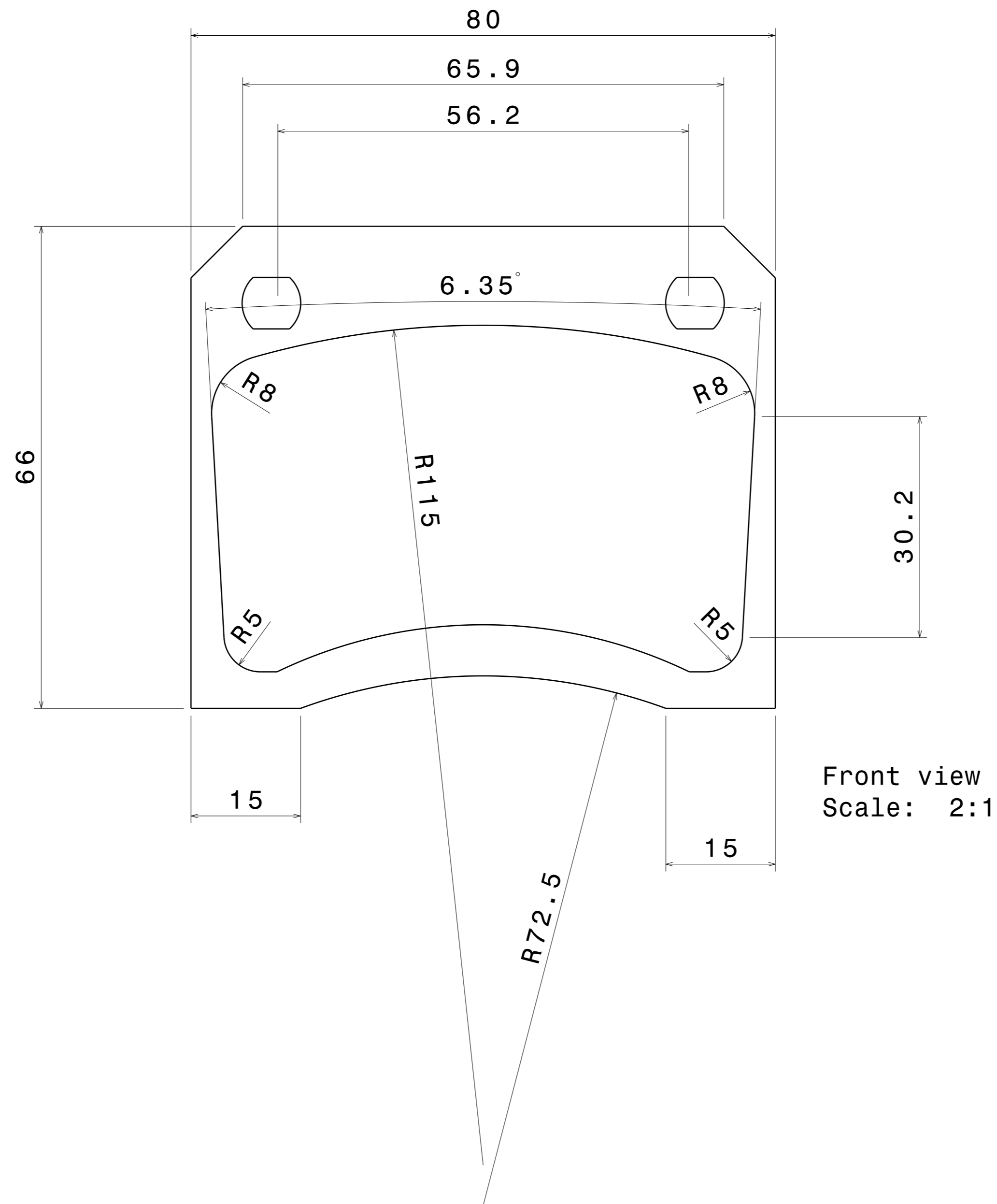
Isometric view  
Scale: 3:5

Isometric view  
Scale: 3:5

CAÑO DE CONEXIÓN	0206D	1
CLIP	0873D	2
SELLO $\varnothing$ 34mm	0527D	4
PISTÓN $\varnothing$ 34mm	0009D	4
EJE DE PASTILLA	0854D	2
TORNILLO DE CONEXIÓN	0152D	1
PURGADOR	0151D	2
BULONES M8 X 1.25 X70	0554D	4
SEPARADOR	0709D	2
CALIPER EXT	0301D	1
CALIPER INT	0302D	1
COMPONENTES	CODIGO	CANTIDAD

DESIGNED BY: Dise	CALIPER DE 4 PISTONES DE $\varnothing$ 34mm DISCO $\varnothing$ MAX 290 EVO1 (VERSIÓN 1)	I	-
DATE: 5/7/2007		H	-
CHECKED BY: XXX	Codigo 1.4.34.290.1.24.1.L	G	-
DATE: XXX		F	-
SIZE A3	SHEET	E	-
SCALE 3:5		D	-
WEIGHT (kg)	This drawing is our property; it can't be reproduced or communicated without our written agreement.	C	-
		B	-
		A	-





Front view  
Scale: 2:1

Left view  
Scale: 2:1

DESIGNED BY: Dise	PASTILLA PARA FRENO CALIPER DE 4 PISTONES 34-34 EVO 1 (VERSION1)	I	-
DATE: 8/22/2007		H	-
CHECKED BY: XXX	DOPPLER	G	-
DATE: XXX		F	-
SIZE: A2	XXX	E	-
SCALE: 2:1		D	-
This drawing is our property; it can't be reproduced or communicated without our written agreement.		C	-
		B	-
		A	-