

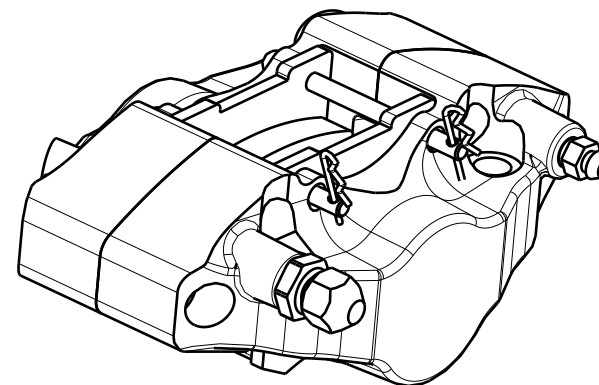
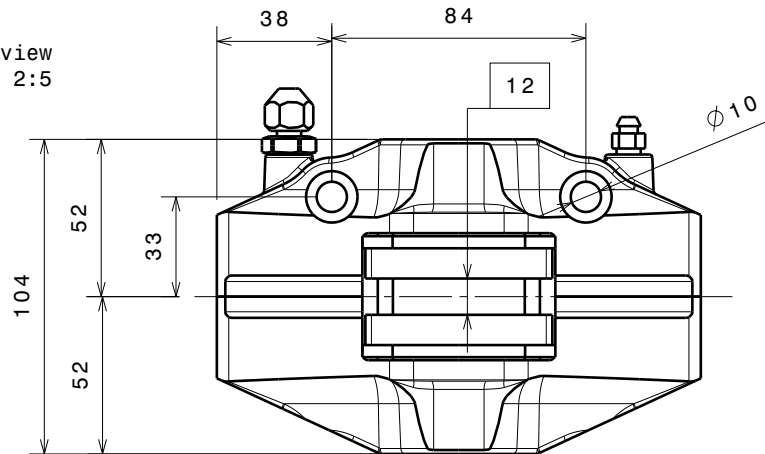
D

C

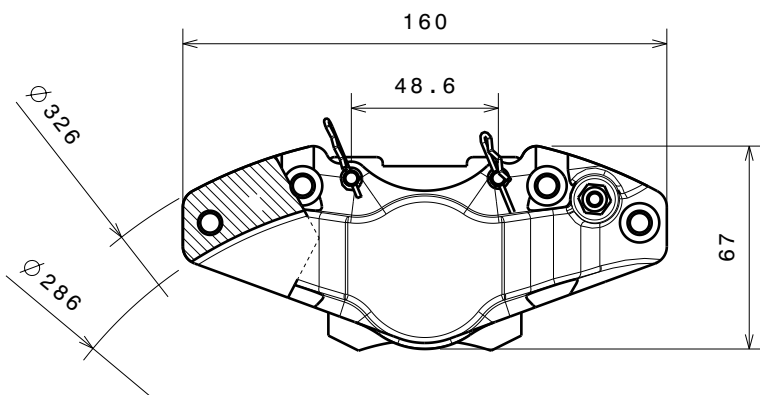
B

A

Bottom view
Scale: 2:5



Isometric view
Scale: 1:2



Front view
Scale: 2:5

DESIGNED BY: JAVIER	
DATE: 09/06/2014	
CHECKED BY: XXX	
DATE: XXX	
SIZE A4	
SCALE 1:3	WEIGHT (kg)

CALIPER DE 2 PISTONES		
		DOPPLER
Part Number		SHEET

I	-
H	-
G	-
F	-
E	-
D	-
C	-
B	-
A	-

This drawing is our property; it can't be reproduced or communicated without our written agreement.

D

A

4

3

2

1