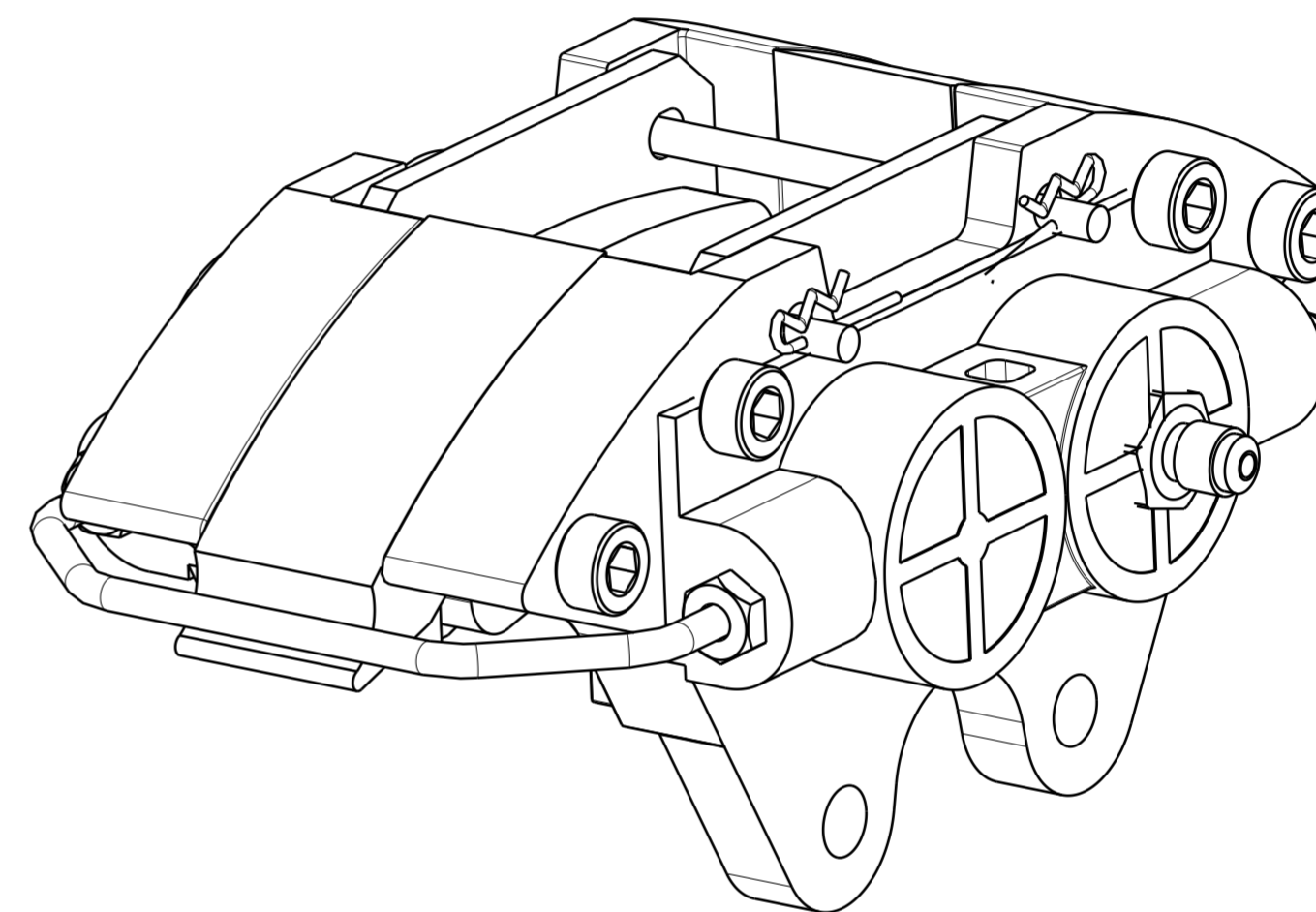
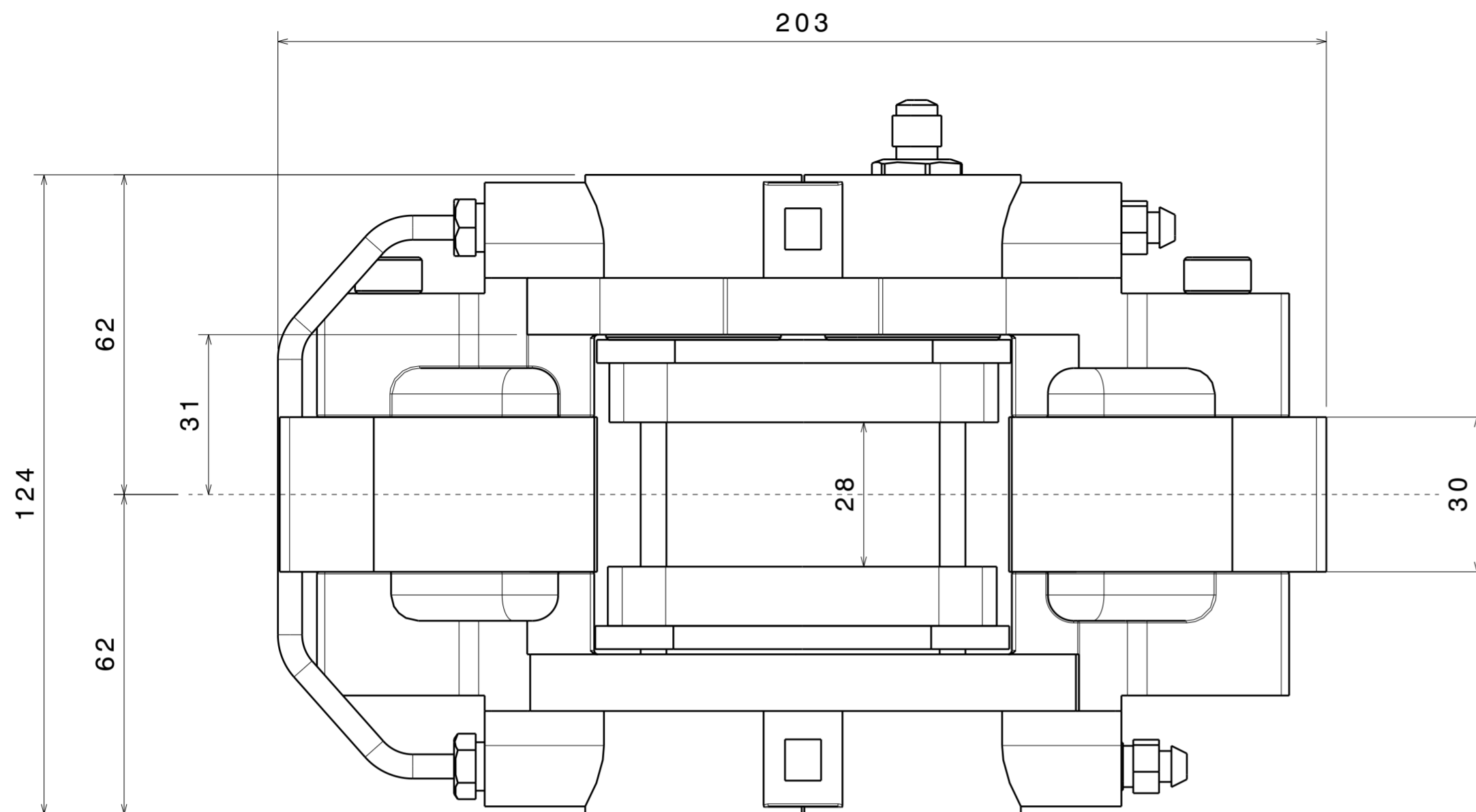
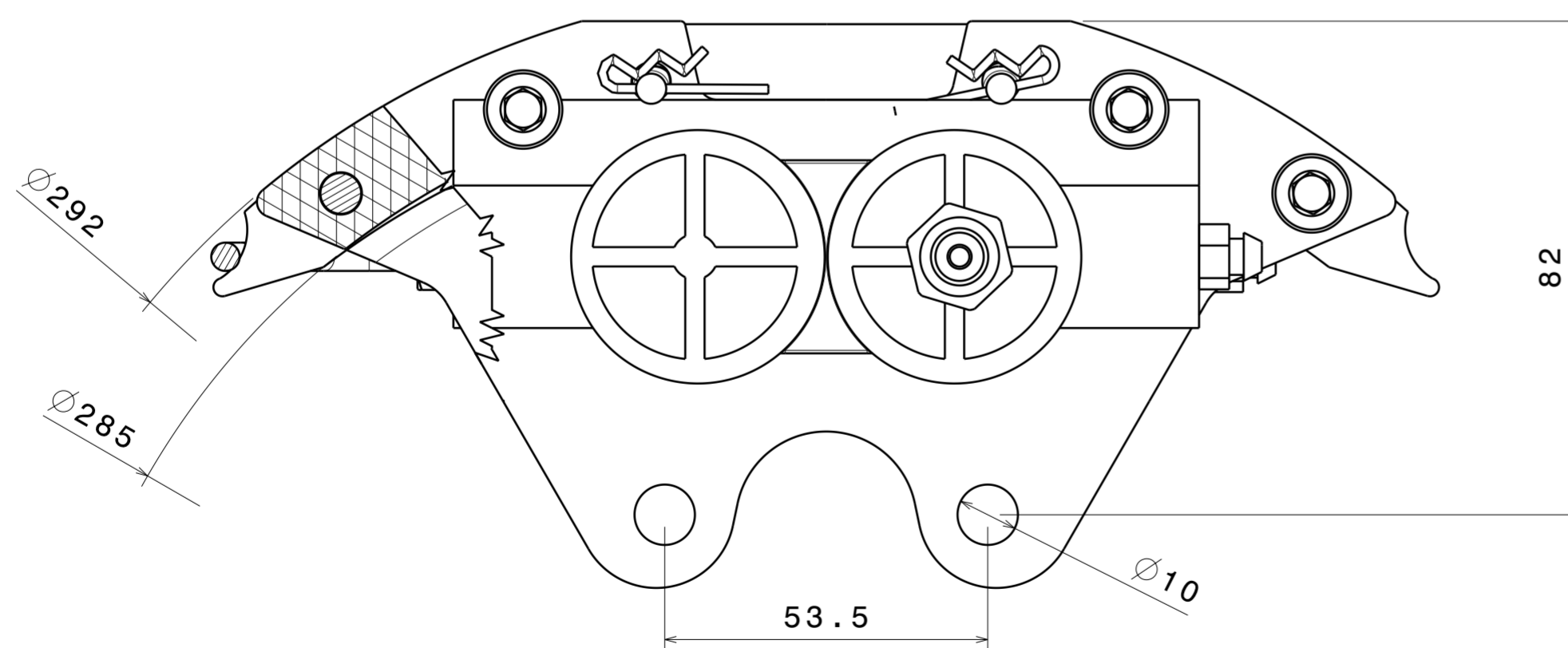


Bottom view
Scale: 1:1



Isometric view
Scale: 1:1



Front view
Scale: 1:1

DESIGNED BY: JAVIER	CALIPER DE 4 PISTONES FIJACION AXIAL	I	-
DATE: 24/09/2014		H	-
CHECKED BY: XXX		G	-
DATE: XXX	DOPPLER	F	-
SIZE: A2		E	-
SCALE: 4:5	CODIGO	D	-
WEIGHT (kg)		C	-
		B	-
		A	-

This drawing is our property; it can't be reproduced or communicated without our written agreement.