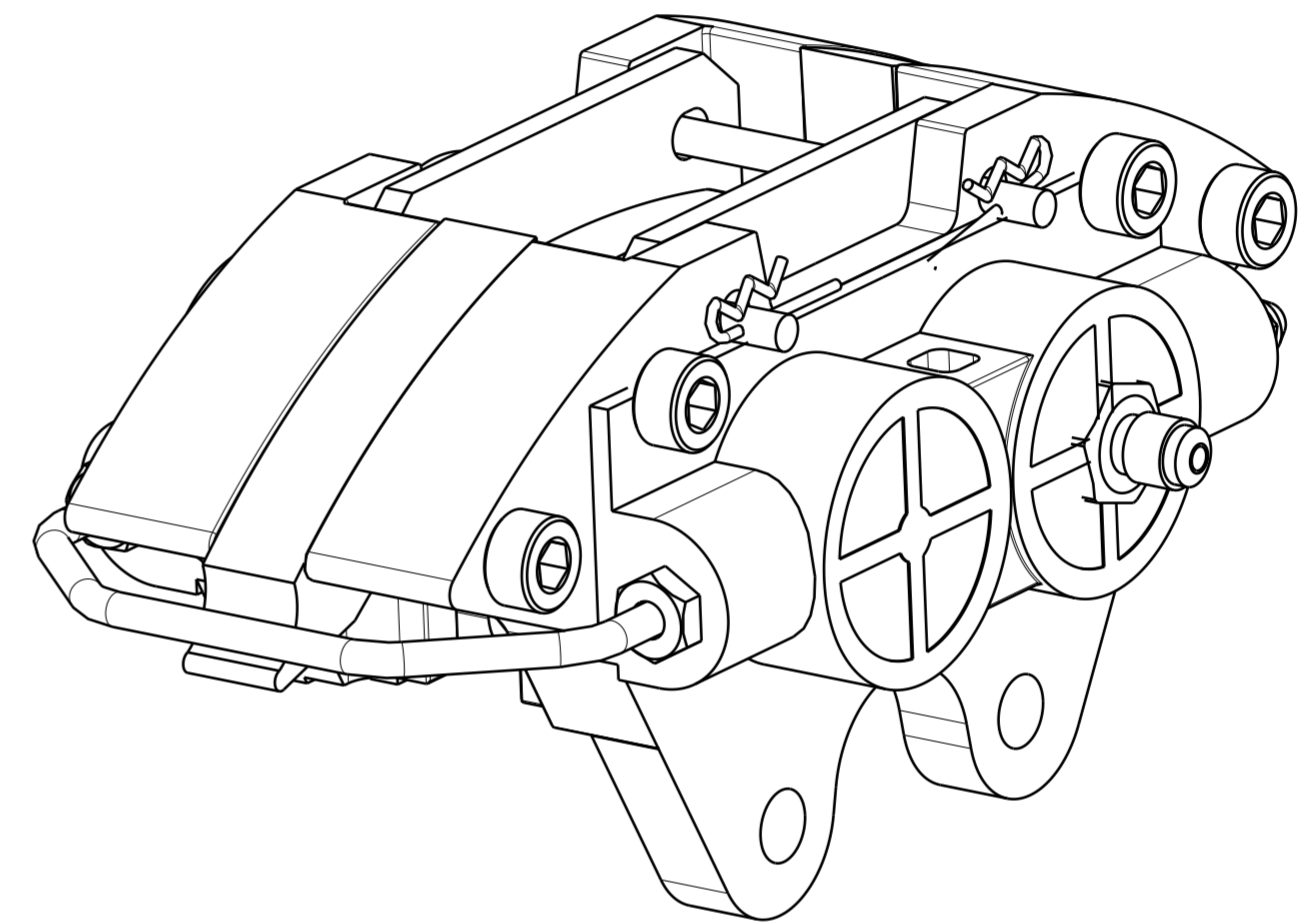
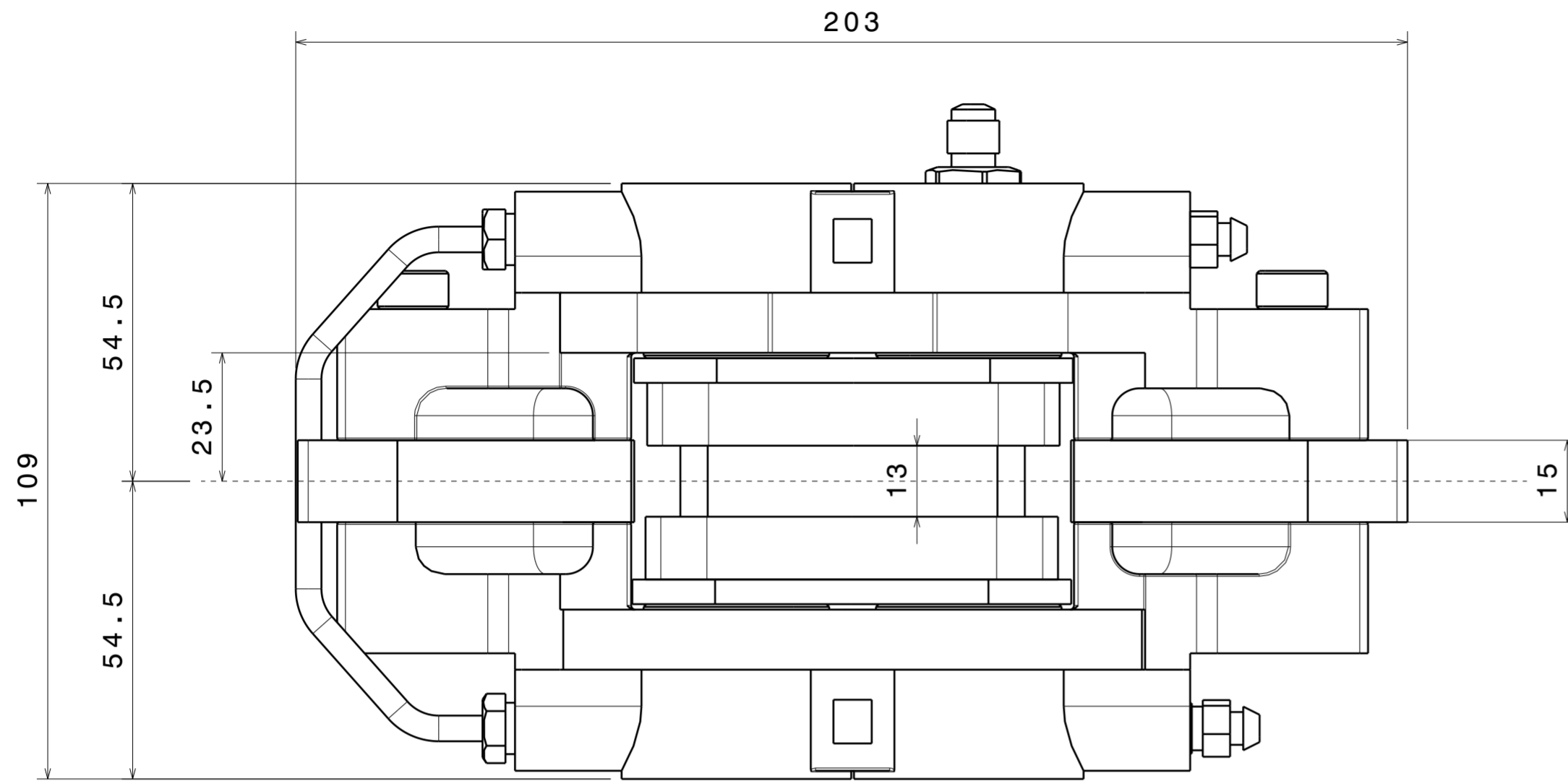
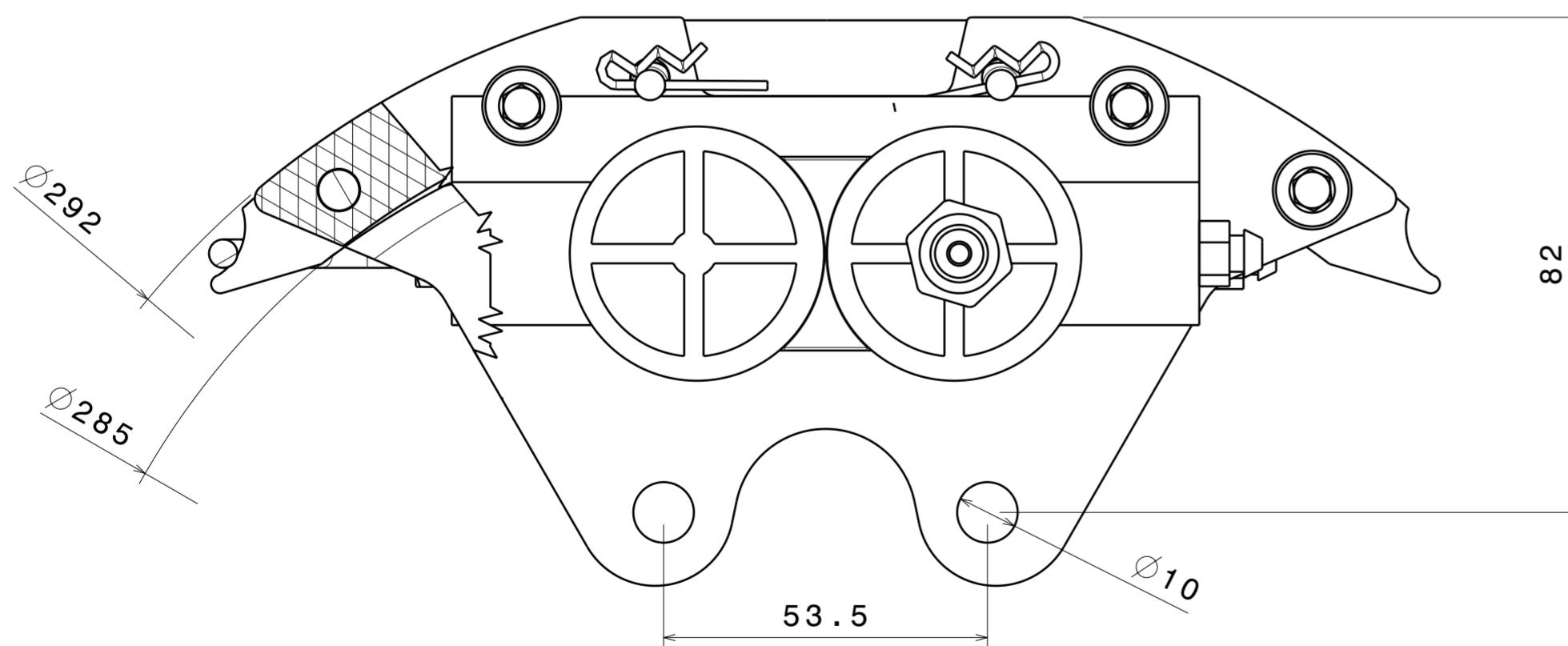


Isometric view  
Scale: 1:1



Isometric view  
Scale: 1:1



Front view  
Scale: 1:1

DESIGNED BY: <b>JAVIER</b>	<b>CALIPER DE 4 PISTONES FIJACION AXIAL</b>	I	-
DATE: 24/09/2014		H	-
CHECKED BY: XXX		G	-
DATE: XXX	<b>DOPPLER</b>	F	-
SIZE: <b>A2</b>		E	-
SCALE: <b>4:5</b>	WEIGHT (kg)	D	-
CODIGO	<b>XXX</b>	C	-
SHEET		B	-
This drawing is our property; it can't be reproduced or communicated without our written agreement.		A	-