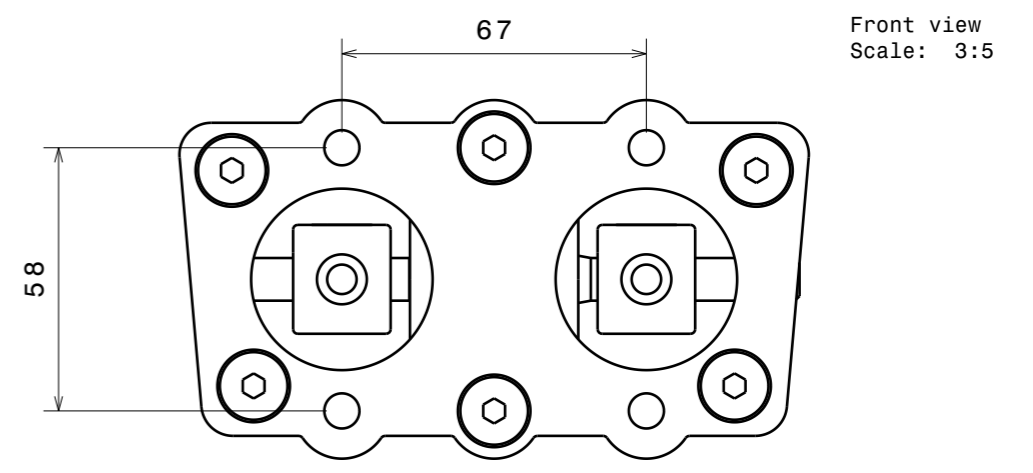
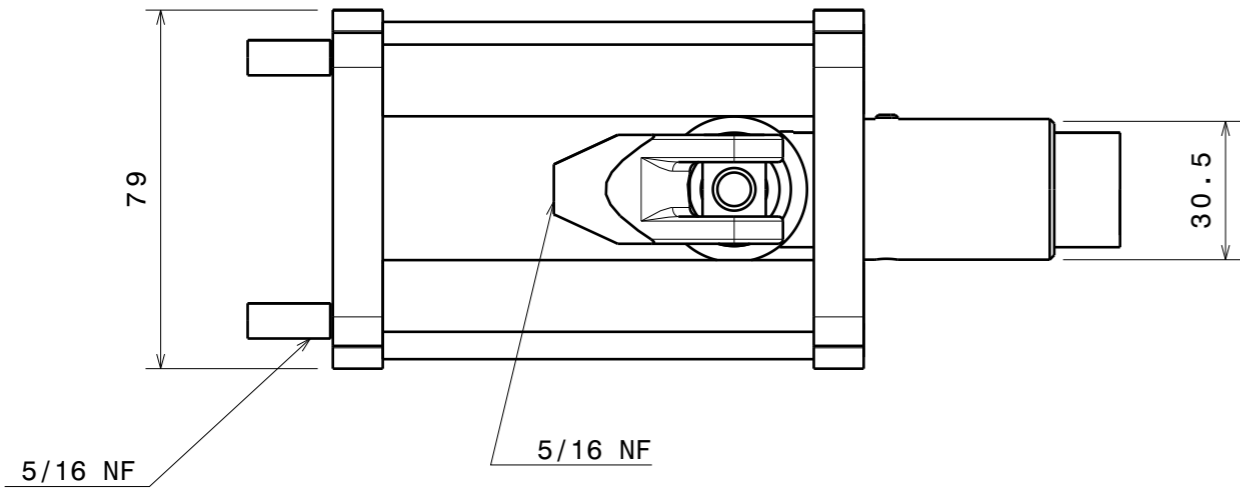
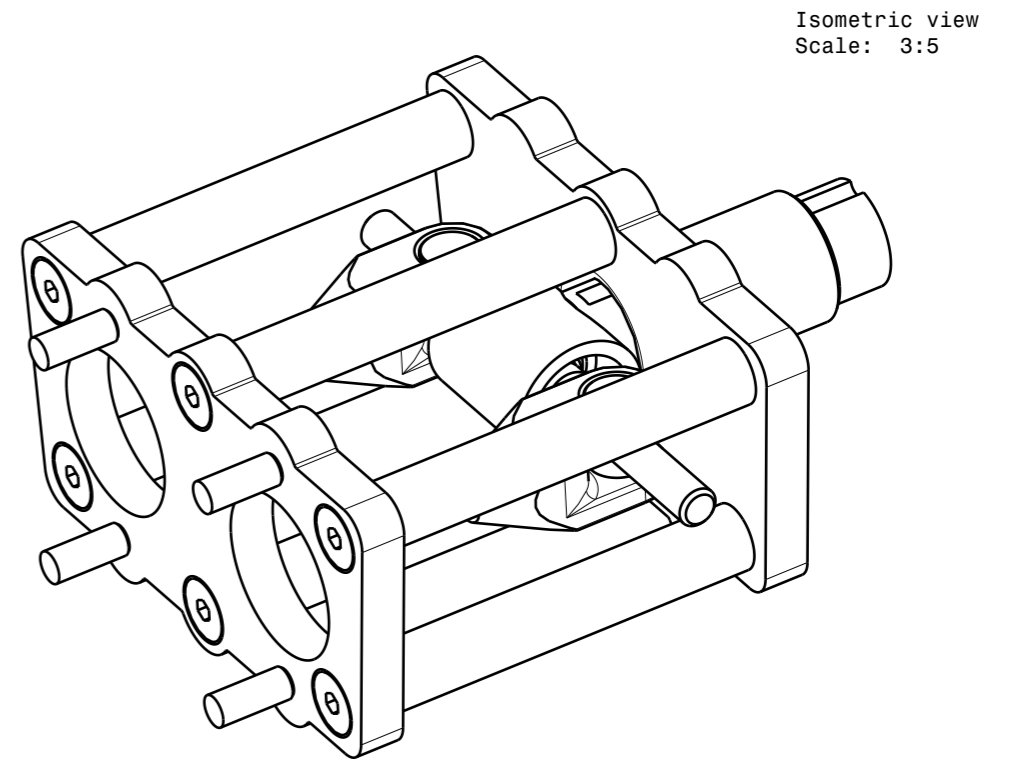
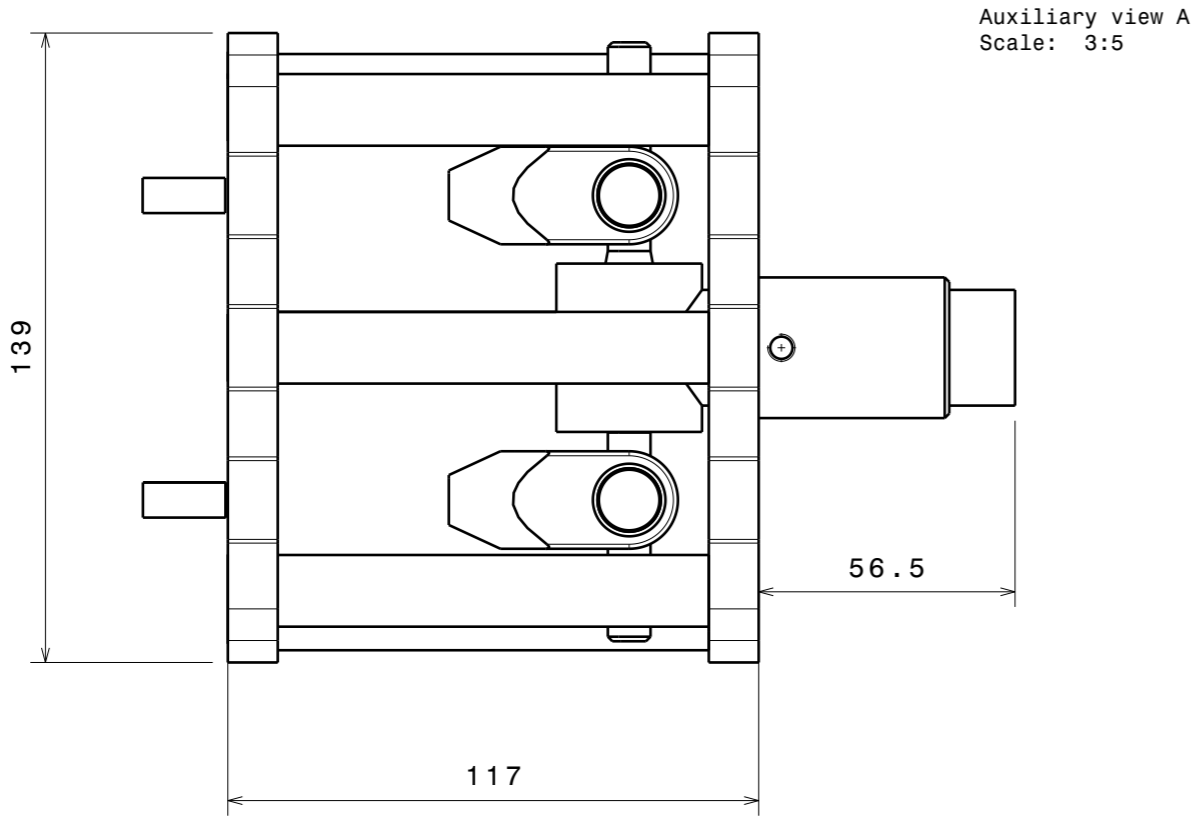


H G F E D C B A



DESIGNED BY: JAVIER	BALANCINERA		I	-
DATE: 24/09/2014			H	-
CHECKED BY: XXX			G	-
DATE: XXX	DOPPLER		F	-
SIZE: A3			E	-
SCALE: 3:5	WEIGHT (kg)	PART NUMBER	D	-
			C	-
		SHEET XXX	B	-
			A	-

This drawing is our property; it can't be reproduced or communicated without our written agreement.

H G B A